

StG 2040/80-PD

DATA SHEET

Description

The new designed HEINZMANN StG 2040-PD and StG 2080-PD actuators with integrated digital positioner can be used for a wide range of applications. This positioning system consists of an actuator StG 2040 or StG 2080 and a digital electronic position control. This results in excellent dynamic characteristics and precise positioning in both working directions that makes this system best for gas engine applications, for example.

HEINZMANN's digital control systems are acknowledged for their high flexibility, which meets all customer needs and requirements. They are known for their long life cycle and proven reliability.

You can parametrise the StG 2040-PD and StG 2080-PD with HEINZMANN's powerful software package DcDesk as well as with a programmer.

The design provides a compact solution that is interchangeable with other proprietary units. The extensive HEINZMANN worldwide network of more than 30 branches, representatives and authorised dealers ensures fast responsive and professional service wherever our customers are.

Specification

Standard setpoint adjustment requires a signal 4 ... 20 mA.

Actuators position feedback signal is given with 4 ... 20 mA.

Alternatives optional.

Application range

- ➔ Fuel pumps
- ➔ Throttle valves
- ➔ Mixers



Features

Compact system setup and size envelope

High reliability

High torque working in both directions

Very low current consumption in steady state

Brushless design, for hazardous locations

Any mounting position permissible

Maintenance-free due to long duration lubricants

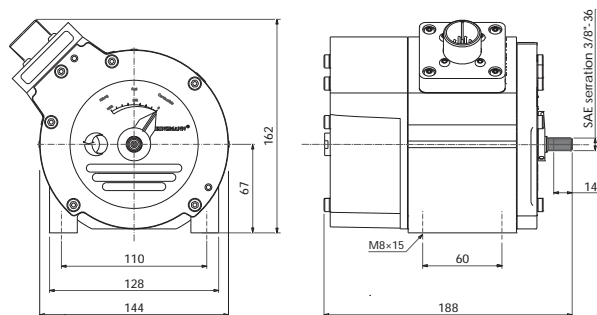
Monitoring

All alarms result in the common alarm output.

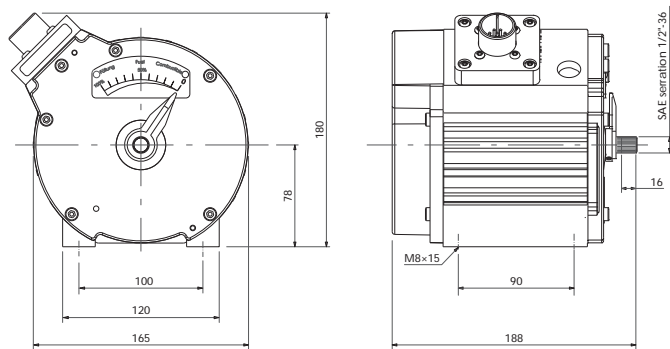
- ➔ Setpoint will be supervised
- ➔ Actuator current limitation to protect it against overheating
- ➔ Difference between actuator setpoint and current value: Activated when a significant difference lasts for a given time (e.g. when linkage is blocked)

Dimensions

StG 2040-PD



StG 2080-PD



Certificates

On request

For further information please see the relevant manual:
DG 10 001-e Digital Positioning System 2000.

Technical data

Electrical connections

Voltage supply	24 VDC / 5 A; operating range: 9 ... 33 VDC
Position setpoint	4 ... 20 mA; input resistance: 240 Ohm
Actual position value	4 ... 20 mA; max. load resistor: 350 Ohm
Stop input	Binary or analogue input, optional isolated with current loop > 4 mA
Common alarm output	300 mA, optional isolated with current loop < 10 mA
Wiring	Plug (e.g. CANNON type), cord optional

Technical data

Ambient temperature	-25 ... +90°
Effective rotation at output shaft	68 °
Max. torque (for 20 sec.)	StG 2040-PD: 6.6 Nm StG 2080-PD: 7.8 Nm
Max. torque in steady state condition	StG 2040-PD: 3.3 Nm StG 2080-PD: 4.6 Nm
Response time	StG 2040-PD: < 150 ms StG 2080-PD: < 90 ms
Protection grade	IP65
Vibration	+/- 1 mm at 1 ... 20 Hz, max. 0.24 m/s at 21 ... 63 Hz max. 9 g at 64 ... 2000 Hz
Shock	30 g, 11 ms half-sine wave
Humidity	Permissible humidity up to 95 % at 55 °C
Compliances	CE, further compliances on request
Weight	StG 2040-PD: approx. 6.5 kg StG 2080-PD: approx. 8.6 kg