

StG EC 15/30-PD

DATA SHEET

Description

At the heart of the StG EC 15/30-PD actuator with integrated positioner is a brushless permanent magnet synchronous motor developed by HEINZMANN. Its magnet system generates very powerful torques in both directions of rotation, with an adjustment angle of up to 90°.

The actuator is available with a choice of 15 Nm or 30 Nm maximum torque. The low mass moment of inertia means that very short actuating times are achieved. A high precision sensor delivers a precise signal for the angular position of the actuator shaft. This enables the control quality to be maximised.

As an option, the actuator is available with a return spring. This returns it to the zero position if the power supply fails.

The control electronics are available with liquid cooling as an option. The StG 15/30-PD is available in two versions with different temperature stability. The control electronics can also be installed outside the device for applications involving extreme ambient temperatures.

Depending on the configuration, the position setpoint can be an analogue current or voltage signal or a PWM signal. Communication with the actuator can optionally be via CAN or RS-232.

Approvals

On request



Features

Actuator with positioner function

Compact size and low weight

Version with 15 Nm or 30 Nm max. torque available

Constantly high actuating force over entire adjustment range

Actuating angle up to 90°

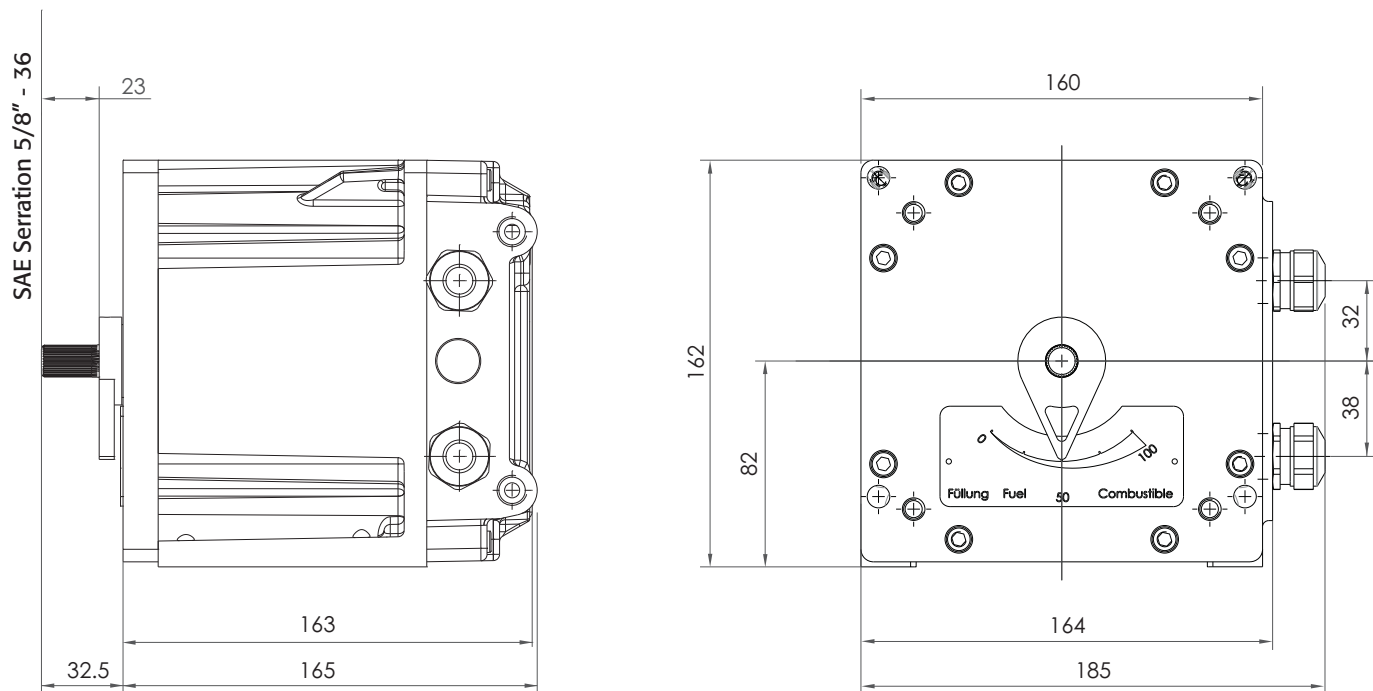
Short adjustment times, high control quality

Liquid cooling of controller board possible

Protection rating IP6K9K

Dimensions

Example StG EC 30-PD



Technical data*

Actuating angle	75°, optionally up to 90° without return spring
Maximum torque	15 Nm or 30 Nm
Torque in steady state	max. 8 Nm or 15 Nm
Actuating time without load	80 ms (75°)
Actuating shaft	Serration 5/8"-36
Weight	approx. 12.5 kg
Supply voltage	18 ... 32 VDC, nom. 24 VDC
Current consumption in hold condition	approx. 3.5 A
Degree of protection	IP6K9K

Ambient temperature	-40 ... +85 °C -40 ... +120 °C -40 ... +150 °C (with external electronics)
Storage temperature	-40 ... +90 °C
Permitted humidity	< 95 % at 55 °C
Position setpoint	4 ... 20 mA (max. 240 Ω), 0 ... 5 V, 10 V, PWM, CAN
Stop input	Binary input
Communication	CAN protocol: CANopen/SAEJ1939, RS-232, Other protocols on request

* Preliminary

Subject to alterations. ©HEINZMANN GmbH & Co. KG, 2017