

ICENI/MA-03

DATA SHEET

Description

The module enables the ICENI distributed I/O system to be connected as a slave node onto a DeviceNet network.

The module is fitted with a colour graphic display that indicates module configuration and the signal status of individual I/O modules. Four push-buttons enable display selection and editing of parameters.

The module occupies the first position on the node and automatically creates a process image based in the I/O modules that are installed. The network settings of the node are configured in the menu system and the process image is made available to the DeviceNet network via a four-way connector.

The alarm contact will de-energise if the processor is off-line, the power supply fails or a problem is encountered with the detection of any installed I/O module.



Features

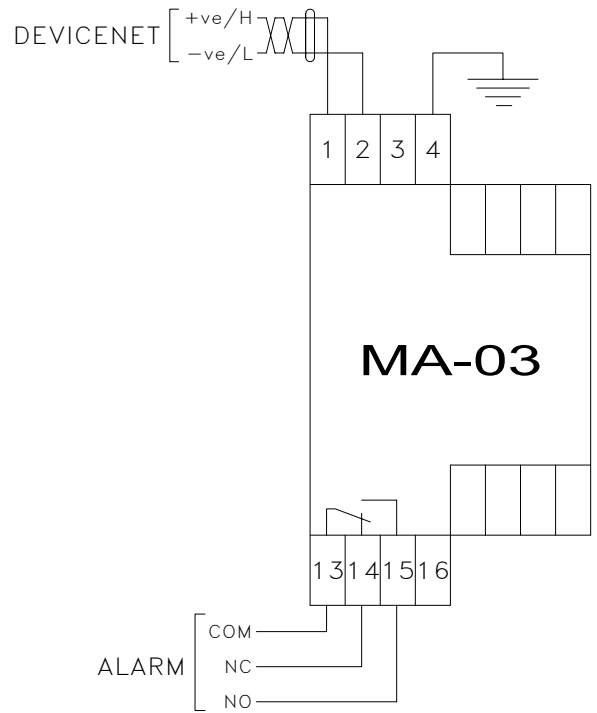
- Colour user interface
- Display of I/O signal values
- DeviceNet interface
- System health indication & alarm output

General specification

Operating temperature	-20 ... +70 °C
Storage temperature	-40 ... +85 °C
Mounting	35 mm DIN rail
Field wiring termination	screw (cage clamp option available)
Wiring cross section / strip length	0.14 ... 1.5 mm ² / 7 mm
Enclosure material	grey polyamide
Weight	170 g (approx.)
Degree of protection	IP20

Technical specification

Operating temperature	-20 ... +70 °C
User interface controls	4 buttons
User interface screen	128 x 128 (colour) pixels
Fault indication	relay (changeover contacts)
Fault indication - switching current (max.)	1A @ 24 VDC
Fault indication - switching voltage (max.)	125 VDC / 150 VAC
Fault indication - switching capacity (max.)	30 W / 60 VA
Contact material	palladium nickel, gold-rhodium covered
Initial contact resistance	< 50 mOhms
Electrical isolation - fieldbus port to ICENibus	1,000 V
Electrical isolation - fault indication to ICENibus	1,000 V
ICENibus termination	yes
Max. number of signal conditioning modules	16
Fieldbus protocol	DeviceNet
Fieldbus interface	CAN bus
Maximum ICENibus consumption	200 mA



Dimensions

