

ICENI distributed I/O system
digital output module DO-03
4 channel, relay output



Regulateurs Europa
Member of the HEINZMANN Group

ICENI/DO-03

DATA SHEET

Description

The module provides four switched relay output channels for controlling field devices (indicators, actuators, audible alarms, etc).

The module provides four individually switched relays with terminations to a changeover contact for each channel. The individual status LEDs indicate that the field output is energised and the healthy LED indicates that the module is communicating on the ICENIbus. By pressing the RE logo push-button, the status of the field outputs is collectively shown on the master module display.

The module can occupy any slot between the first (master) and the last (power supply) modules.



Features

Clean contact C/O outputs

Individually isolated channels

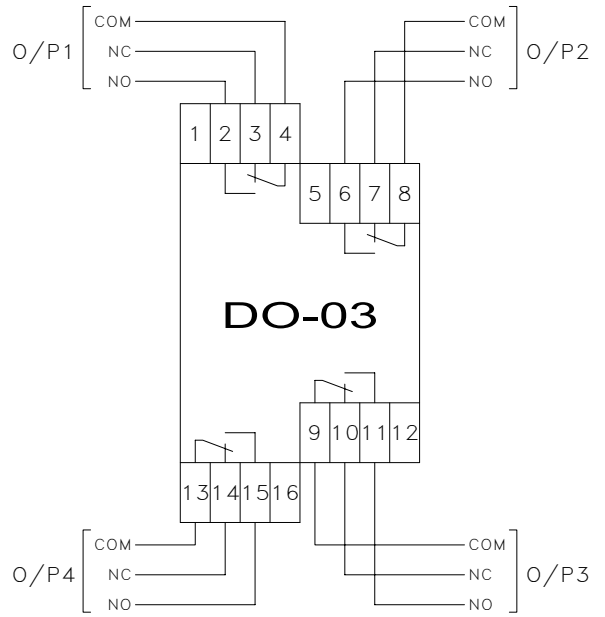
Signal status indication

General specification

Operating temperature	-20 ... +70 °C
Storage temperature	-40 ... +85 °C
Mounting	35 mm DIN rail
Field wiring termination	screw (cage clamp option available)
Wiring cross section / strip length	0.14 ... 1.5 mm ² / 7 mm
Enclosure material	grey polyamide
Weight	130 g (approx.)
Degree of protection	IP20

Technical specification

Operating temperature	-20 ... +70 °C
Number of channels	4 outputs
Channel type	digital
Output type	relay (changeover contacts)
Switching current (maximum)	1A @ 24 VDC
Switching voltage (maximum)	125 VDC / 150 VAC
Switching capacity (maximum)	30 W / 60 VA
Contact material	palladium nickel, gold-rhodium covered
Series resistance (on)	< 50 mOhms
Update rate at master module (per channel)	10 Hz
Internal update rate	100 Hz
Electrical isolation - channel to channel	500 V
Electrical isolation - channel to ICENibus	1,000 V
Maximum ICENibus consumption	130 mA



Dimensions

