

ICENI distributed I/O system  
digital output module DO-02  
8 channel, 24 VDC



**Regulateurs Europa**  
Member of the HEINZMANN Group

# ICENI/DO-02

## DATA SHEET

### Description

The module provides eight, individually isolated, electronically switched output channels, for controlling field devices (indicators, actuators, audible alarms, etc).

The module provides eight 24 VDC field powered outputs that are individually opto-isolated from the ICENIbus. The individual status LEDs indicate that the field output is energised and the healthy LED indicates that the module is communicating on the ICENIbus. By pressing the RE logo push-button, the status of the field outputs is collectively shown on the master module display.

The module can occupy any slot between the first (master) and the last (power supply) modules.



### Features

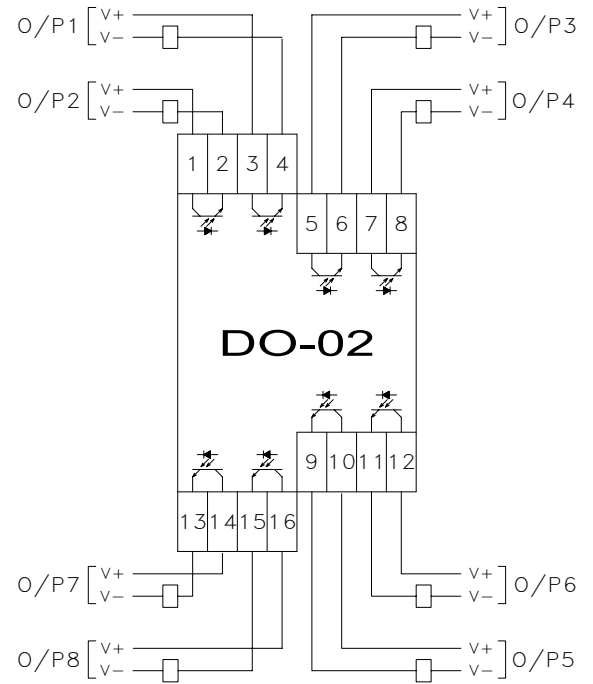
- Solid state outputs
- Individually isolated channels
- Protected outputs
- Signal status indication

### General specification

Operating temperature	-20 ... +70 °C
Storage temperature	-40 ... +85 °C
Mounting	35 mm DIN rail
Field wiring termination	screw (cage clamp option available)
Wiring cross section / strip length	0.14 ... 1.5 mm <sup>2</sup> / 7 mm
Enclosure material	grey polyamide
Weight	130 g (approx.)
Degree of protection	IP20

## Technical specification

Operating temperature	-20 ... +70 °C
Number of channels	8 outputs
Channel type	digital
Output type	solid state
Switching current (maximum)	250 mA (resistive) @ 24 VDC
Switching current (minimum)	10 mA (resistive) @ 24 VDC
Switching voltage (maximum)	10 ... 35 VDC
Series resistance (on)	approx. 5 Ohms
Protection	reverse polarity (max. 35 VDC)
Update rate at master module (per channel)	10 Hz
Internal update rate	100 Hz
Electrical isolation - channel to channel	500V
Electrical isolation - channel to ICENibus	1,000 V
Maximum ICENibus consumption	120 mA



## Dimensions

