

ICENI/DI-01

DATA SHEET

Description

The module provides eight, individually isolated, digital input channels for monitoring field devices (position switches, level sensors, operator inputs, etc.).

The module monitors eight 24 VDC field powered inputs that are individually opto-isolated from the ICENIbus. The individual status LEDs indicate that the field input is energised and the healthy LED indicates that the module is communicating on the ICENIbus. By pressing the RE logo push-button, the status of the field inputs is collectively shown on the master module display.

The module can occupy any slot between the first (master) and the last (power supply) modules.



Features

Individually isolated channels

Protected inputs

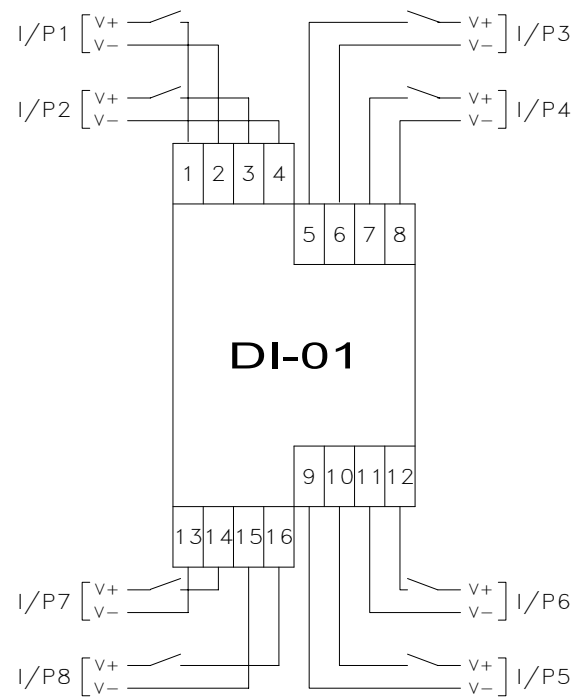
Signal status indication

General specification

Operating temperature	-20 ... +70 °C
Storage temperature	-40 ... +85 °C
Mounting	35 mm DIN rail
Field wiring termination	screw (cage clamp option available)
Wiring cross section / strip length	0.14 ... 1.5 mm ² / 7 mm
Enclosure material	grey polyamide
Weight	130 g (approx.)
Degree of protection	IP20

Technical specification

Operating temperature	-20 ... +70 °C
Number of channels	8 inputs
Channel type	digital
Signal measurement range (maximum)	0 ... 5 VDC (logic low) 10 ... 35 VDC (logic high)
Input filter	hardware & software
Update rate at master module (per channel)	10 Hz
Internal sampling rate (per channel)	200 Hz
Electrical isolation - channel to channel	500 V
Electrical isolation - channel to ICENibus	1,000 V
Input resistance	> 3 KOhms
Absolute maximum input	40 VDC
Maximum ICENibus consumption	90 mA



Dimensions

