

ICENI/AI-03

DATA SHEET

Description

The module provides four, isolated input channels, for monitoring high field temperature sensors (exhaust, boiler, flare, etc.).

The module monitors four thermocouple analogue inputs that are configured from the master module. The four channels are opto-isolated from the ICENIbus. The individual status LEDs indicate that the field input is present and within limits and the healthy LED indicates that the module is communicating on the ICENIbus. By pressing the RE logo push-button, all of the measured input values are shown on the master module display. The module can occupy any slot between the first (master) and the last (power supply) modules.



Features

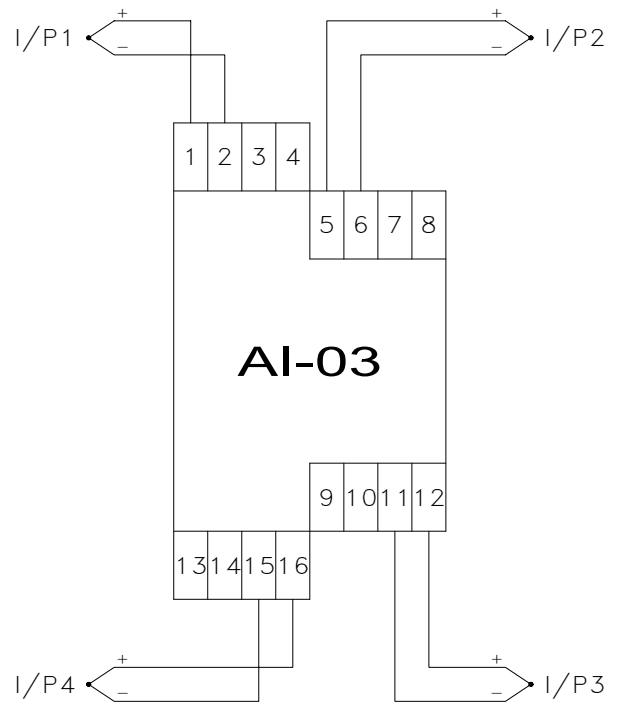
- Supports 4 sensor types
- Isolated channel group
- Open-circuit detection
- Signal fault indication

General specification

Operating temperature	-20 ... +70 °C
Storage temperature	-40 ... +85 °C
Mounting	35 mm DIN rail
Field wiring termination	screw (cage clamp option available)
Wiring cross section / strip length	0.14 ... 1.5 mm ² / 7 mm
Enclosure material	grey polyamide
Weight	130 g (approx.)
Degree of protection	IP20

Technical specification

Operating temperature	-20 ... +70 °C
Number of channels	4 inputs
Channel type	thermocouple
Sensor type	E, J, K, N
Signal measurement range (maximum)	field type dependant
Input filter	hardware & software
Update rate at master module (per channel)	10 Hz
Internal sampling rate (per channel)	20 Hz
Accuracy	+/- 0.5 % fsd
Electrical isolation - channel to channel	none
Electrical isolation - channel to ICENibus	1,000 V
Input resistance	> 1 MOhm
Signal fault detection	open-circuit
Cold junction measurement/compensation	yes
Maximum ICENibus consumption	190 mA



Dimensions

