

## DK 200 / StG 2085

### DATA SHEET

#### Description

Preferential application of this combination of a throttle valve with a HEINZMANN actuator is gas engine control. Engine speed and power of the engines can be influenced by controlling the gas mixture amount. In special applications it can additionally be used as gas valve for air-fuel-ratio control.

Usually it is applied to stationary engines. Over and above its robust construction makes it fit for mobile heavy duty applications as well.

A multipolar magnetised permanent magnet is mounted directly on the actuator shaft. This kind of design allows generating powerful torque equally in both directions of work.

The armature is optimised for lowest heat build-up. Additionally the design enhances heat transfer and allows a wide working temperature range.

Result of the direct acting gearless function is a very fast response time. A high precision feedback system allows high-grade position control of the throttle.

Application of special materials and long-duration lubricants assure maintenance-free operation and long service life. Installation of the actuator is possible in any mounting position.

The robust and enduring model with IP6K9K degree of protection allows operation under roughest ambient conditions.



#### Features

AFR throttle valve

Quick response time

High precision feedback

Robust and enduring design for mobile applications

Wide working temperature range up to 125 °C

Completely maintenance-free

IP6K9K degree of protection

Any orientation or alignment of mounting possible

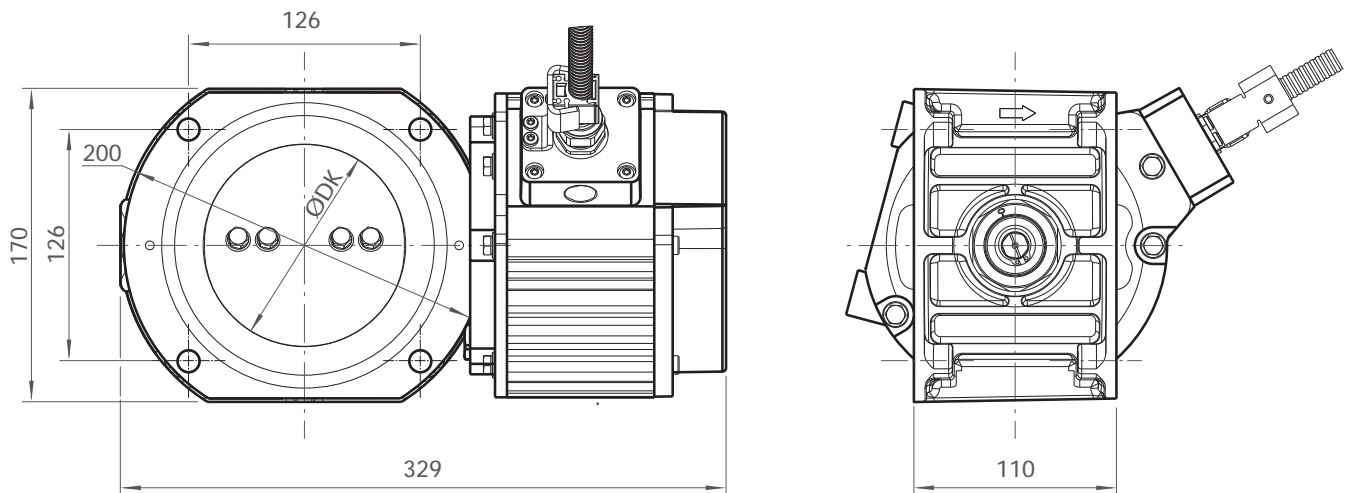
Standard flange dimensions

Suitable for several gas types (natural gas, landfill gas, biogas, propane)

#### Application range

- ➔ Gas engines
- ➔ Dual-fuel engines
- ➔ Diesel engines (e.g. emergency shut-down)

## Dimensions



## Technical data

Steady state torque	4.6 Nm	
Maximum torque	7.8 Nm	
Rotation	65°	
Response time	< 90 ms	
Current consumption, actuator	max. 8 A	
Steady state current	4 A	
Diameter (ØDK)	Ø90 mm	Ø110 mm
Boost pressure	max. 5.8 bar abs.	
Operating temperature	-40 ... 125 °C	
Degree of protection	IP6K9K	
Weight	approx. 13 kg	

## Certificates

On request

Subject to alterations. ©HEINZMANN GmbH & Co. KG, 2016



**Heinzmann GmbH & Co. KG**  
Am Haselbach 1  
D-79677 Schönau/Germany

Tel: +49 7673 8208 - 0  
Fax: +49 7673 8208 188  
E-Mail: info@heinzmann.de