

MEGASOL 60 II ... 425 II

MEGASOL 400 II (24 V)

DATA SHEET

Description

MEGASOL (MEtering of GAs by SOLenoid) is HEINZMANN's series of electrically actuated gas admission valves. It is intended for gas and dual-fuel operation on industrial turbo charged four-stroke engines.

As the gas is injected into the intake manifold, each cylinder requires one MEGASOL gas admission valve. They are designed to operate with a comparatively high differential pressure of supplying air and gas.

Any parts exposed to gas are resistant to corrosion and optionally available appropriate for alternative fuels.

MEGASOL 400 II (24 V) is fully compatible with SOGAV 105 regarding bolt pattern and functional characteristics. It can be used as a direct replacement and ensures precise dosing.

For mounting, any position is possible however, vertical orientation (solenoid above metering plates) should be preferred and will substantially increase valve life compared with horizontal installation.

Any MEGASOL variant is available as marine version also.



Features

Precise metering of gas quantity for each cylinder individually

Fast response and excellent load behaviour of engine

Very low leakage when closed

Suitable for new engines as well as for retrofit solutions

Bolt-on compatible to market standard

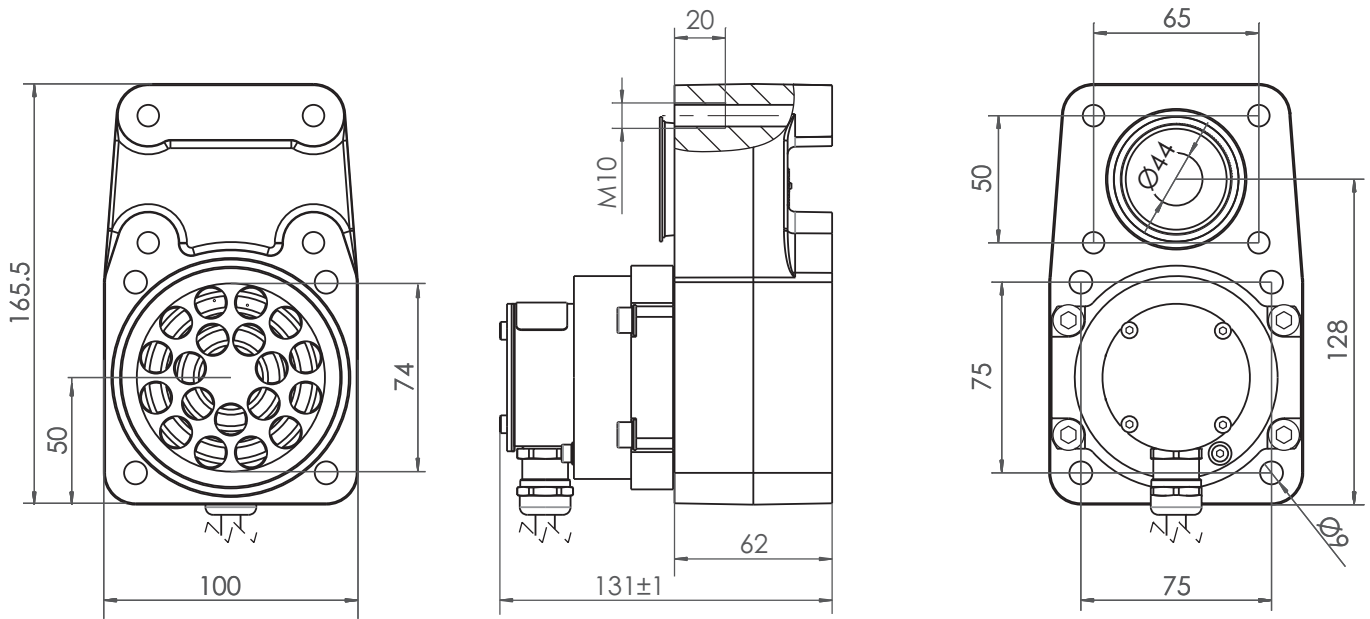
Optionally available for alternative fuels

Technical data

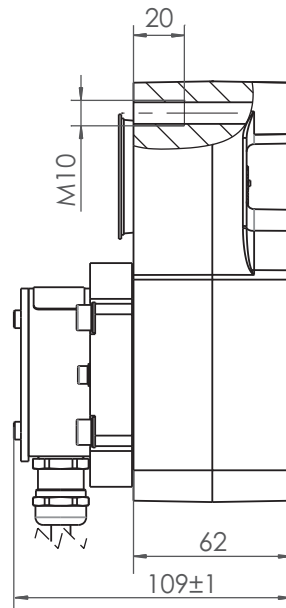
	MEGASOL 60 II ... 425 II	MEGASOL 400 II (24 V)
Flow rate (Z-Value)	17 ... 128	105
Supply voltage	90 V	24 V
Internal leakage ($\Delta p = 1$ bar, 20 °C, closed valve)	< 0.25 % of steady state flow rate	< 0.25 % of steady state flow rate
Time to fully open after signal on ($\Delta p = 1$ bar)	< 3ms	< 5ms
Time to fully close after signal on ($\Delta p = 1$ bar)	< 2ms	< 2ms
Max. absolute pressure gas supply	8 bar / 116 psi	4 bar / 58 psi
Max. absolute pressure air supply	6 bar / 87 psi	3 bar / 43.5 psi
Max. backfire pressure	0.5 bar / 7.25 psi	0.5 bar / 7.25 psi
Max. differential pressure	< 3.0 bar / 43 psi	< 2.0 bar / 29 psi
Filtration required	5 μ	5 μ
Max. temperature gas supply	80 °C / 176 °F	80 °C / 176 °F
Operating temperature	-20 °C ... +105 °C / -4 °F ... +221 °F	-20 °C ... +105 °C / -4 °F ... +221 °F
Diameter gas inlet	44 mm / 1.73 inch	44 mm / 1.73 inch

Dimensions

MEGASOL 60 II, 200 II, 250 II, 400 II, 425 II - 90 V



MEGASOL 400 II - 24 V



Certificates

Pending

ATEX  II 2G Ex mb IIC T4 Gb

For further information please see the relevant manual: MV 22 001-e MEGASOL II 24V