

MEGASOL 200 II Marine

DATA SHEET

Description

The MEGASOL 200 II (**ME**tering of **GA**s by **SOL**enoid) is an electrically actuated gas injection valve for marine applications. It is intended for marine gas and dual fuel engines.

As the gas is injected into the intake manifold, each cylinder requires one MEGASOL 200 II Marine. It is designed to operate with a comparatively high differential pressure of supplying air and gas.

Together with HEINZMANN's DARDANOS series applying MVC (Magnetic Valve Control) MEGASOL 200 II Marine ensures precise gas dosing for each cylinder and allows cylinder individual gas flow compensation.

All parts exposed to the gas are resisting to corrosion and stress corrosion cracking. Further, the housing is designed double-walled to comply with the standards of the international classification societies.



Features

Fast response

Very low leakage when closed

Double-walled housing for gas leakage detection

Easy installation

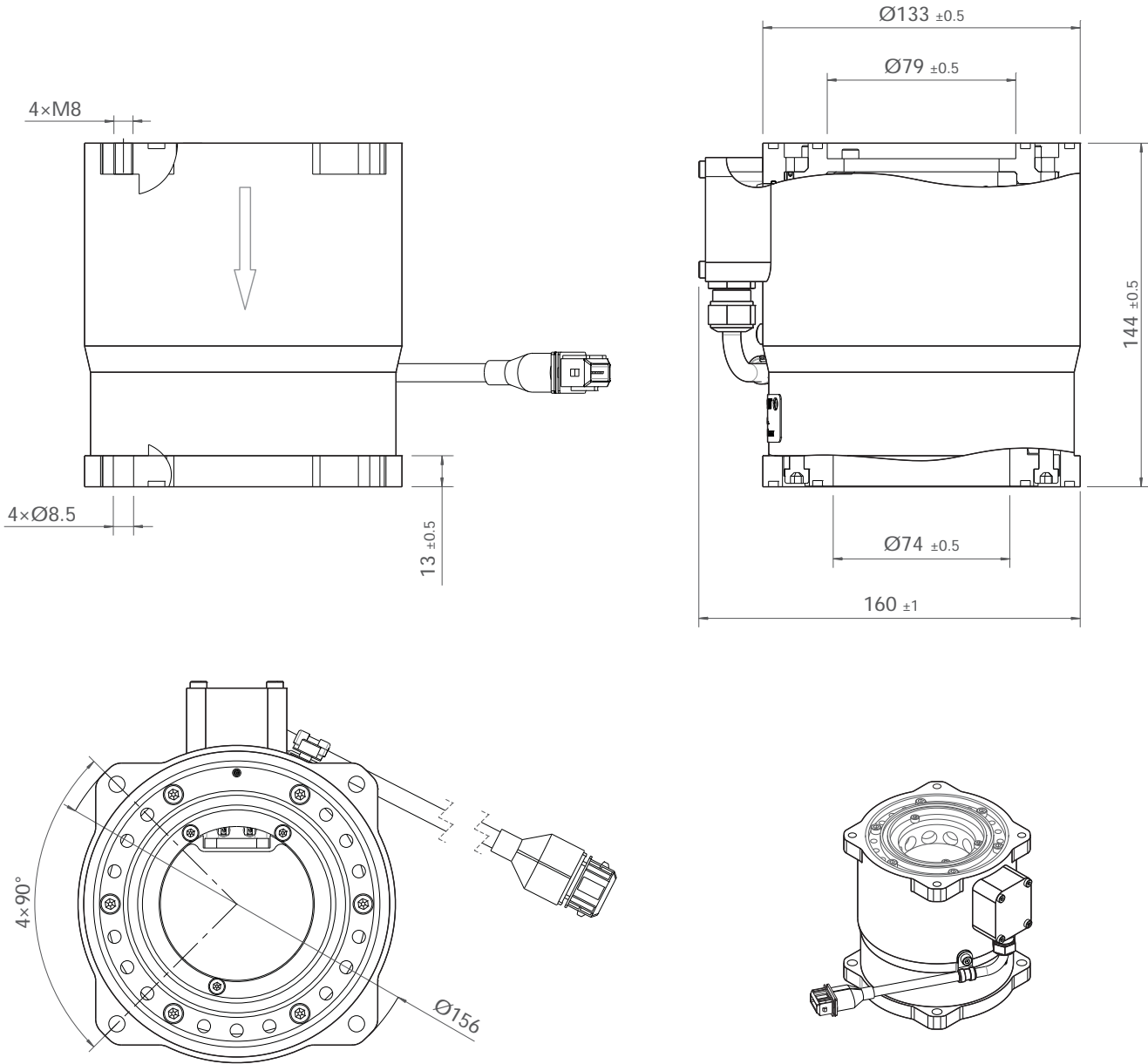
Precise cylinder individual gas dosing

Only low mounting space requirement

Technical Data

Response time to 100 % open after signal on	< 3 ms
Response time to fully closed after signal off	< 2 ms
Internal leakage when closed	< 0.25 % of steady state flow-rate
Max. pressure gas supply (p1)	8 barg
Max. pressure air supply (p2)	6 barg
Max. differential pressure	3 bar
Max. backfire pressure, peak	0.5 bar
Max. temperature gas supply	80 °C
Flow rate (Z-value)	105
Filtration required	5 µm
Operating temperature	-20 ... 105 °C
Voltage supply	48 ... 110 VDC
Diameter gas inlet	79 mm

Dimensions



Certificates

Pending, ATEX  II 3 G Ex nAR II T4

For further information please see the relevant manual:
KRONOS 40 - System description

Subject to alterations. ©HEINZMANN GmbH & Co. KG, 2016



Heinzmann GmbH & Co. KG
Am Haselbach 1
D-79677 Schönau/Germany

Phone: +49 7673 8208 - 0
Fax: +49 7673 8208 - 188
Email: info@heinzmann.de