

StG 64/90

DATA SHEET

Description

Medium-sized and large diesel engines as well as gas engines or turbines are the preferential application for this type of powerful actuators. A DC disc motor which already generates strong torque in both directions of rotation is their core. The torque additionally is multiplied by a reduction gearbox. Due to the low moment of inertia of the motors disc nevertheless quick response times can be gained. In case of voltage loss a return spring ensures setting back to zero position. Optionally the actuator is available without return spring. A contactless feedback system is integrated onto the governors output shaft offering an electrical position signal to any external control unit.

A current limitation which is activated 20 seconds after the actuators might be blocked mechanically prevents them from damage by overheating. The use of special materials and long-time lubricants assures maintenance-free operation and long working life of the actuators.

All considered these actuators provide high regulation power even with only low current consumption and are quite indifferent to slow voltage changes of the supply.

Application range

- Medium-sized and large diesel engines
- Gas engines
- Gas and steam turbines



Features

Strong regulation torque working in both directions

Quick response time

Return spring

Low current consumption on change of load

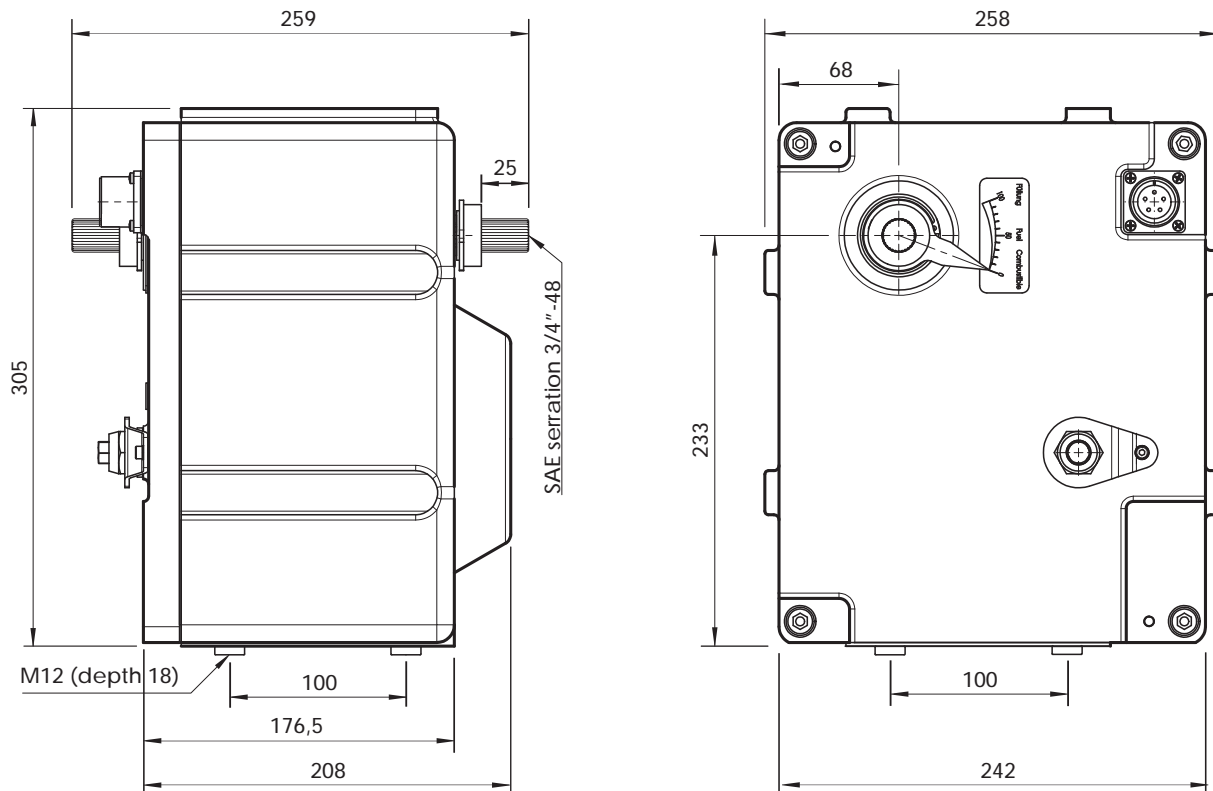
Extremely low retaining current

Indifference to slow voltage changes of the supply

Contactless feedback

Current limitation in case of blocking to prevent actuator overheating

Dimensions



Certificates

on request

Technical data

Rotation angle	max. 42°
Torque	StG 64: max. 64 Nm StG 90: max. 90 Nm
Steady state torque	StG 64: approx. 21 Nm StG 90: approx. 30 Nm
Return spring	0 %: 3.5 Nm 100 %: 5.0 Nm
No load response time	StG 64: approx. 270 ms StG 90: approx. 320 ms
Current consumption	max. 7 A
Steady state current	approx. 2.3 A
Position feedback 0 ... 100 %	approx. 1.6 ... 2.8 VDC,
Ambient temperature	-25 ... 90° C
Storage temperature	-55 ... 110° C
Permissible ambient humidity	< 95 %
Degree of protection	IP65
Weight	approx. 32 kg

Subject to alterations. ©HEINZMANN GmbH & Co. KG, 2017