

Wastegate Valves

DATA SHEET

Description

For high-powered combustion engines turbocharging is inevitable for enhancing power output and engine efficiency. Therefore, elaborate control elements especially on the hot exhaust gas side of the engine are required to achieve precise and reliable charging control. HEINZMANN offers this equipment, comprising all components for wastegate.

The valves are available with a 68° or 90° rotation angle and are suitable for use in gas engines and diesel engines. Application though considerably depends on fuel type and quality and should be discussed with HEINZMANN in advance. On request a complete system consisting of throttle valve, actuator and connecting rod can be supplied.

The valves with a 90° rotation angle are provided with a stop in the closed position. Due to this stop, leakage over the closed valve is very small. In addition, the valves can be arranged in a way that excludes jamming caused by differential thermal expansion.



Features

High temperature and corrosion resistance

Best sliding on a large temperature range

Connection to actuator with linkage or shaft and high-temperature coupling possible

Maintenance-free

Application range

→ Combustion engines with high operating temperature



WG 30



WG 50

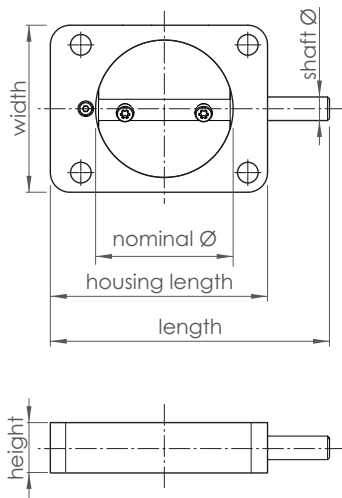


WG 120

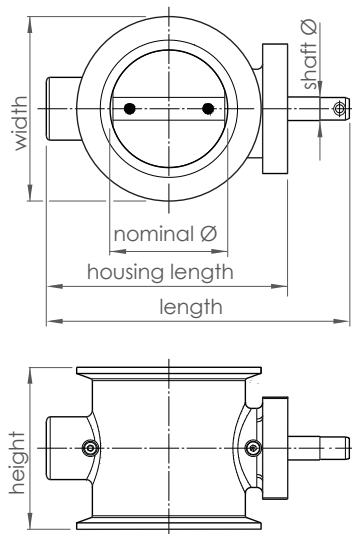


WG 200

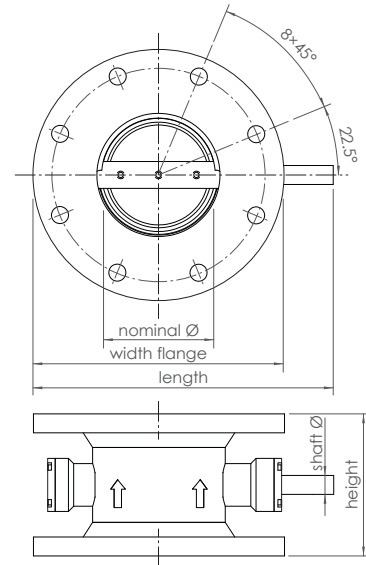
Dimensions Flat Housing



Dimensions Cone Housing



Dimensions WG 120 / WG 200



Description		Nominal Ø (mm)	Angle	Width / flange Ø (mm)	Length (mm)	Height (mm)	Housing length (mm)	Shaft Ø (mm)
WG 30	Cone flange	30	68°	50.5	88.5	52	65.5	8
	Flat housing			44	86.5	19	66.5	8
WG 40	Cone flange	40	68°	50.5	88.5	52	65.5	8
	Flat housing			54	86.5	19	66.5	8
WG 50	Cone flange	50	68°	94	146.5	82.5	123	12
	Flat housing			75	142	30	110.5	12
WG 60	Cone flange	60	68°	94	146.5	82.5	123	12
	Flat housing			75	142	30	110.5	12
WG 70	Cone flange	70	68°	94	146.5	82.5	123	12
	Flat housing			85	142	35	110.5	12
	Flat housing	66	90°	105	142	35	120.5	12
WG 90	Flat housing	90	90°	142	196.6	48	160	20
WG 120	Housing with flange	120	90°	265	320	150	265	20
WG 170	Housing with flange	170	90°	320	360	150	320	25
WG 200	Housing with flange	200	90°	320	400	150	320	25

- ➔ Operating temperature: -40 °C ... +550 °C
- ➔ Max. delta pressure: 5 bar abs.

Subject to alterations. ©HEINZMANN GmbH & Co. KG, 2017