

# MEGASOL 200 II, 250 II, 400 II & 425 II

## DATA SHEET

### Description

The MEGASOL 200 II, 250 II, 400 II and 425 II (**ME**tering of **GA**s by **SOL**enoid) are electrically actuated gas admission valves. They are intended for gas and dual-fuel operation on industrial turbo charged four-stroke engines.

As the gas is injected into the intake manifold, each cylinder requires one MEGASOL gas admission valve. They are designed to operate with a comparatively high differential pressure of supplying air and gas.

Together with HEINZMANN's DARDANOS series applying MVC (Magnetic Valve Control) MEGASOL 200 II, 250 II, 400 II or 425 II ensure precise gas dosing and allow gas flow compensation for each cylinder.

All parts exposed to the gas are resisting to corrosion and stress corrosion cracking. For mounting any position is possible however, vertical orientation (solenoid above metering plates) should be preferred and will substantially increase valve life compared with horizontal installation.



### Features

Fast response

Very low leakage when closed

Excellent load response of the engine

Suitable for new engines as well as for retrofit solutions

Easy installation

Precise gas dosage for each cylinder

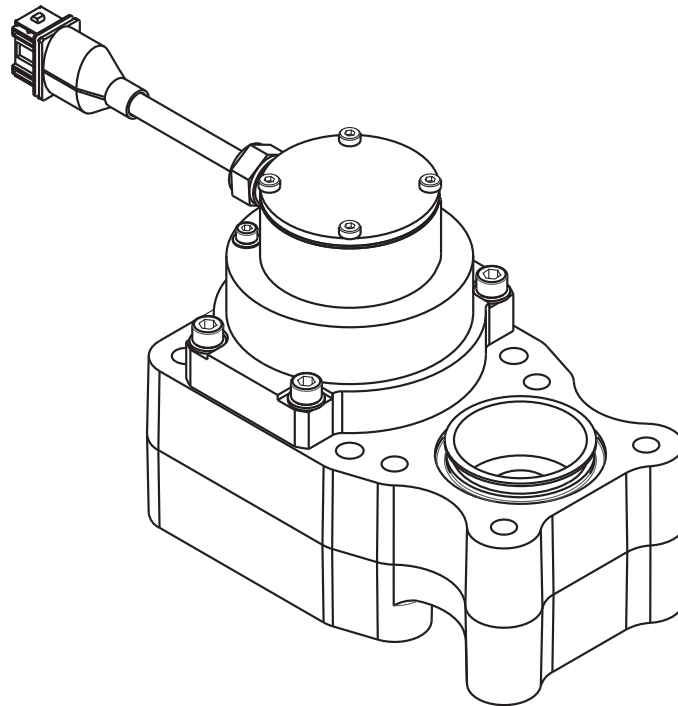
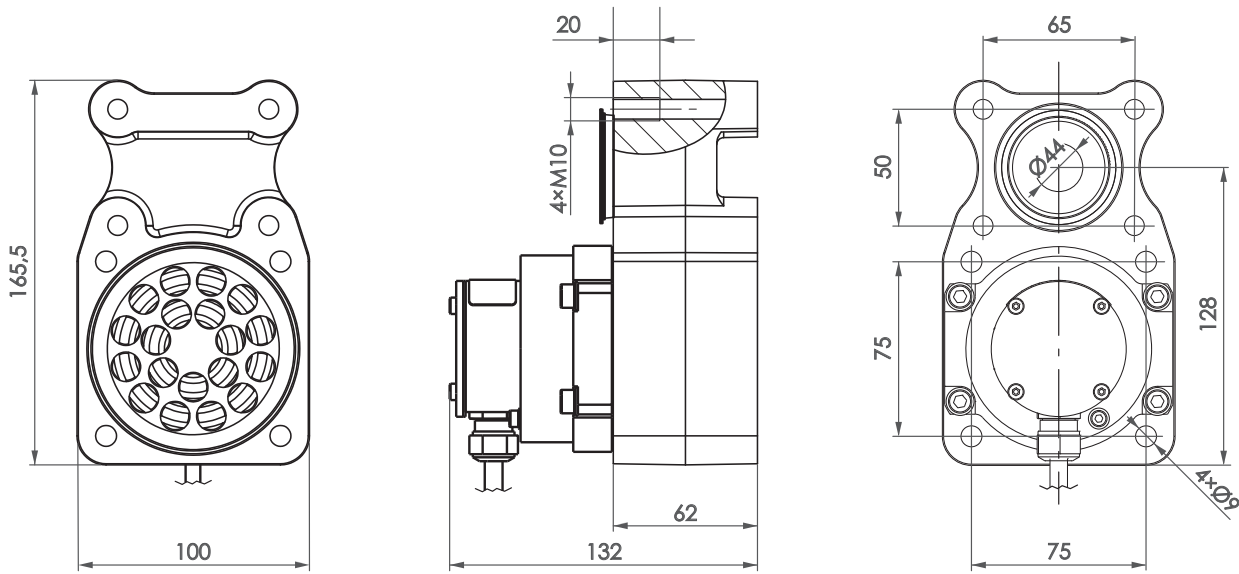
Cylinder individual adjustment of gas quantity

Bolt-on compatible to market standard

### Technical data

Flow rate (Z-value)	MEGASOL 200 II: 55 MEGASOL 250 II: 69 MEGASOL 400 II: 105 MEGASOL 425 II: 128 Lower Z-values down to 17 on request
Response time to 100 % open after signal on	< 3 ms
Response time to fully closed after signal off	< 2 ms
Internal leakage when closed	< 0.25 % of steady state flow-rate
Max. pressure gas supply (p1)	8 bar
Max. pressure air supply (p2)	6 bar
Max. differential pressure	3 bar
Max. backfire pressure, peak	0.5 bar
Max. temperature gas supply	80 °C
Filtration required	5 µm
Operating temperature	-20 ... +105 °C
Voltage supply	48 ... 110 VDC
Diameter gas inlet	44 mm

## Dimensions



## Certificates

Pending, ATEX  3 G Ex nAR II T4

For further information please see the relevant manual:  
MV 14 002-e MEGASOL II

Subject to alterations. ©HEINZMANN GmbH & Co. KG, 2019



**Heinzmann GmbH & Co. KG**  
Am Haselbach 1  
D-79677 Schönau/Germany

Phone: +49 7673 8208 - 0  
Fax: +49 7673 8208 - 188  
Email: info@heinzmann.de