

ICENI distributed I/O system
analogue input module AI-01
4 channel, 4 to 20 mA



Regulateurs Europa
Member of the HEINZMANN Group

ICENI/AI-01

DATA SHEET

Description

The module provides four, loop powered, individually isolated input channels, for monitoring field sensors (pressure, level, position, etc.).

The module monitors four 4-20 mA analogue inputs that are configured from the master module. Each is individually opto-isolated from the ICENIbus. The individual status LEDs indicate that the field input is present and within limits and the healthy LED indicates that the module is communicating on the ICENIbus. By pressing the RE logo push-button, all of the measured input values are shown on the master module display.

The module can occupy any slot between the first (master) and the last (power supply) modules.



Features

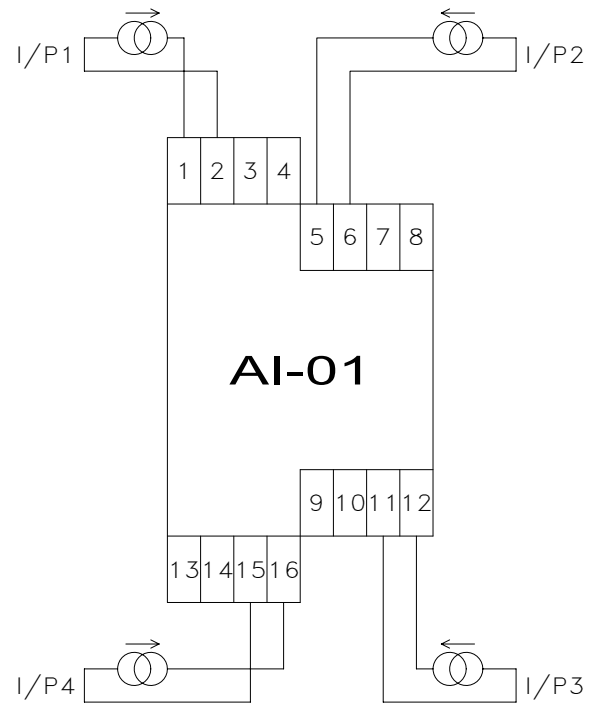
- Loop powered inputs
- Individually isolated channels
- Protected inputs
- Signal fault indication

General specification

Operating temperature	-20 ... +70 °C
Storage temperature	-40 ... +85 °C
Mounting	35 mm DIN rail
Field wiring termination	screw (cage clamp option available)
Wiring cross section / strip length	0.14 ... 1.5 mm ² / 7 mm
Enclosure material	grey polyamide
Weight	130 g (approx.)
Degree of protection	IP20

Technical specification

Operating temperature	-20 ... +70 °C
Number of channels	4 inputs
Channel type	current
Signal measurement range (normal)	4 ... 20 mA
Signal measurement range (maximum)	2 ... 22 mA
Protection	25 mA current limit
Voltage drop	5.5 V max. @ 20 mA
Input filter	hardware & software
Update rate at master module (per channel)	10 Hz
Internal sampling rate (per channel)	200 Hz
Accuracy	+/- 0.5 % fsd
Electrical isolation - channel to channel	500 V
Electrical isolation - channel to ICENibus	1,000 V
Input resistance	variable (loop powered)
Signal fault detection	open circuit outside normal range over-current
Maximum ICENibus consumption	130 mA



Dimensions

