

ICENI/AI-02

DATA SHEET

Description

The module provides four, individually isolated input channels, for monitoring field voltage sensors (level, position, etc.).

The module monitors four 0-10 V analogue inputs that are configured from the master module. Each is individually opto-isolated from the ICENIbus. The individual status LEDs indicate that the field inputs are present and within limits and the healthy LED indicates that the module is communicating on the ICENIbus. By pressing the RE logo push-button, all of the measured input values are shown on the master module display.

The module can occupy any slot between the first (master) and the last (power supply) modules.



Features

Differential inputs

Individually isolated channels

Protected inputs

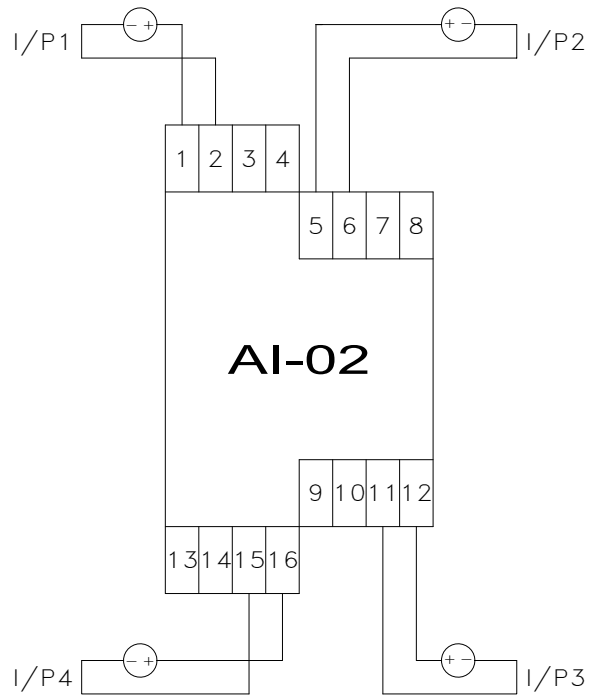
Signal fault indication

General specification

Operating temperature	-20 ... +70 °C
Storage temperature	-40 ... +85 °C
Mounting	35 mm DIN rail
Field wiring termination	screw (cage clamp option available)
Wiring cross section / strip length	0.14 ... 1.5 mm ² / 7 mm
Enclosure material	grey polyamide
Weight	130 g (approx.)
Degree of protection	IP20

Technical specification

Operating temperature	-20... +70 °C
Number of channels	4 inputs
Channel type	voltage
Signal measurement range (normal)	0 ... 10 VDC
Signal measurement range (maximum)	0 ... 11 VDC
Protection	reverse polarity over-voltage
Input filter	hardware & software
Update rate at master module (per channel)	10 Hz
Internal sampling rate (per channel)	50 Hz
Accuracy	+/- 0.5 % fsd
Electrical isolation - channel to channel	500 V
Electrical isolation - channel to ICENibus	1,000 V
Input resistance	> 200 KOhms
Signal fault detection	outside normal range over-voltage
Maximum ICENibus consumption	260 mA



Dimensions

