

Ignition Coil

Z00-17-006-00

DATA SHEET

Description

New high performance ignition coil with enhanced output and separate grounding point.

Intended to be combined with HEINZMANN Ignition Control System PHLOX-ICS.

Output voltage 50 kV in continuous operation. Temperature range up to 125 °C.

The spark plug cable can be fastened on the ignition coil directly with a screw. Alternatively with an adapter a detachable connection is possible.



Features

Enhanced output

Separate grounding point

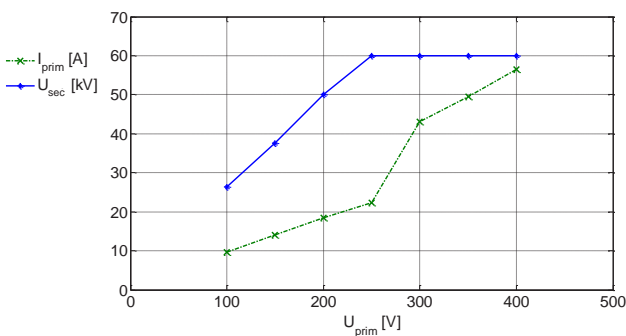
50 kV continuous operation

Detachable connection possible

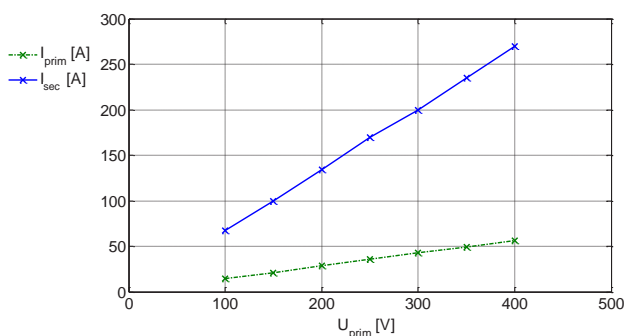
Replaces the most part of ignition coils of Altronic and Motortech ignition systems

Meets directive EN 55012

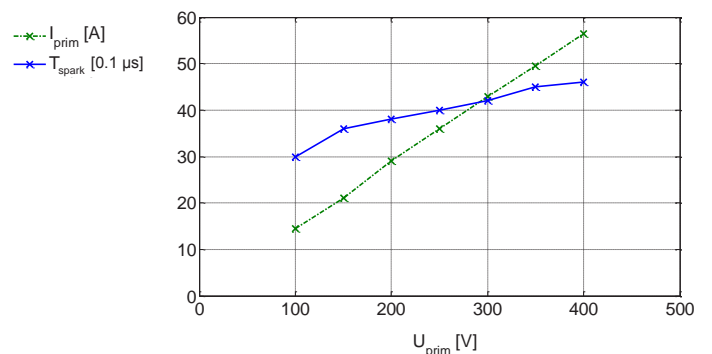
High-voltage measurement with simulation of 13 pF ignition plug (external limitation 60 kV)



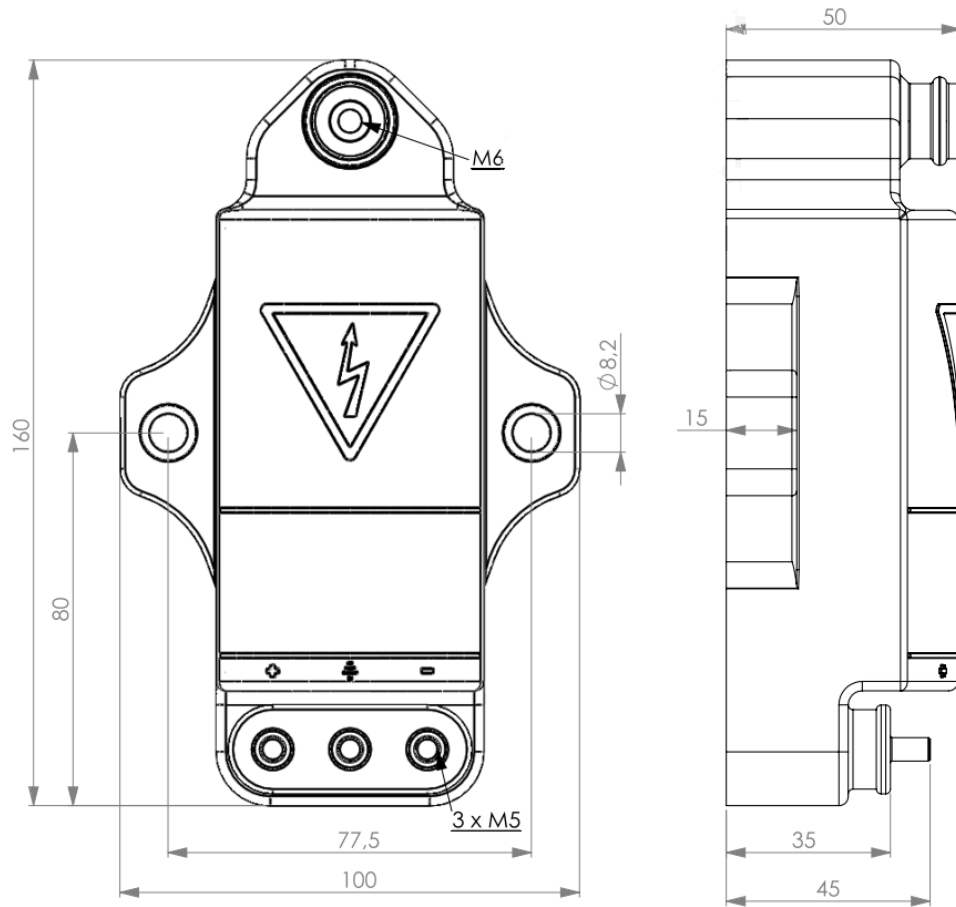
Measurement of secondary current with simulation of 800 V ignition spark



Measurement of spark duration with simulation of 800 V ignition spark



Dimensions



Technical data

Temperature range	-40 ... 125 °C
Output voltage	$U_{\text{sek}} > 50 \text{ kV}$, continuous operation
Resistance primary	1.1 Ω
Resistance secondary	14.5 k Ω

Subject to changes and corrections. ©Heinzmann GmbH & Co. KG, 2015