

LA 25/30/35

DATA SHEET

Description

This group of all-electric direct acting actuators is intended for direct mounting at diesel inline injection pumps.

The actuators offer a linear working direction and provide a special temperature compensated contactless position feedback.

Primarily actuators of the LA series are designed particularly for small diesel and gas engines. Three different sizes are available.

Most suitable control units for driving them are the ones of HEINZMANN's ORION series. Together with them they are widely used in power generation.



Features

For small diesel and gas engines

Contactless high-precision feedback, temperature compensated

Robust and enduring construction

Temperature range up to 90 °C

Maintenance-free

Degree of protection IP65

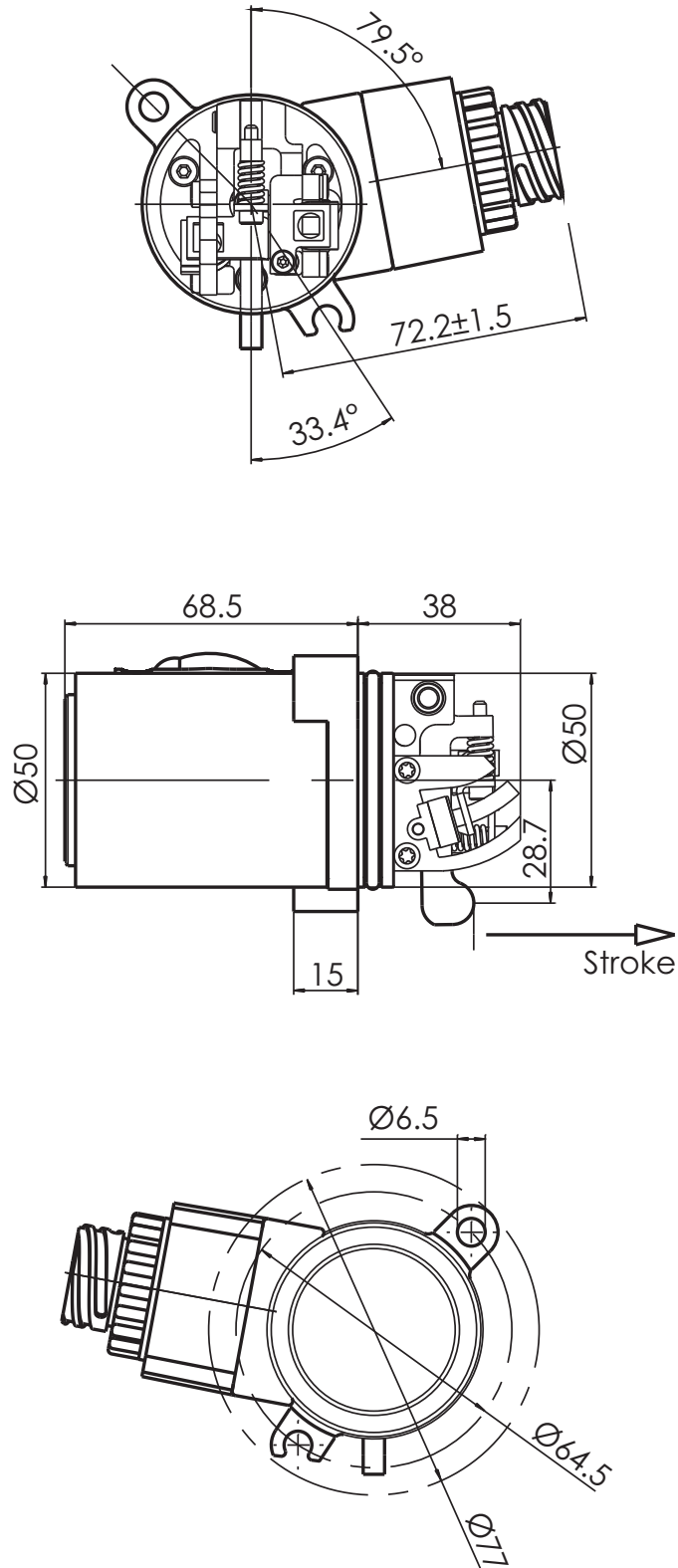
Application range

➔ Small diesel and gas engines for power generation

Technical data

	LA 25	LA 30	LA 35
Max. stroke	19.5 mm	15.5 mm	12.5 mm
Max. force	25 N	30 N	35 N
Force in steady state position	20 N	24 N	28 N
No load response time	100 ms		
Steady state current	2 A		
Max. current	2.8 A		
Ambient temperature	-40 ... +90 °C		
Degree of protection	IP65		
Weight	approx. 0.7 kg		

Dimensions



Subject to alterations. ©HEINZMANN GmbH & Co. KG, 2018