

GSLU 01 Generator Soft Load Unit



DATA SHEET

Description

The GSLU 01 Generator Soft Load Unit has been designed for use with the Heinzmann LMG 03 isochronous load sharing unit. The GSLU 01 will allow single sets to soft load and unload isochronously while parallel to other sets.

Parallel generator sets can be ramped isochronously up and down away from parallel load share lines and the load reduced to a pre-set level for engine cooling. When a ramped down generator reaches its minimum level below a base load, an external contact is activated that will allow the set to be removed from the parallel engines.

The primary function of this unit is to allow isochronous loading and unloading of island generator sets or base load parallel to the mains.

Technical data

Supply voltage DC	250 VAC or 28 VDC 1A
Supply voltage AC	110/220 VAC 6 VA
Relay contacts	250 VAC or 28 VDC 1A
Unload trip level	0 - 80 %
Control switches	24 VDC 25 mA
Ramp time – minimum	5 seconds
Ramp time – maximum	120 seconds
Working temperature	0 - 70 °C
Housing	290 x 120 x 90 mm
Enclosure	DIN rail mount

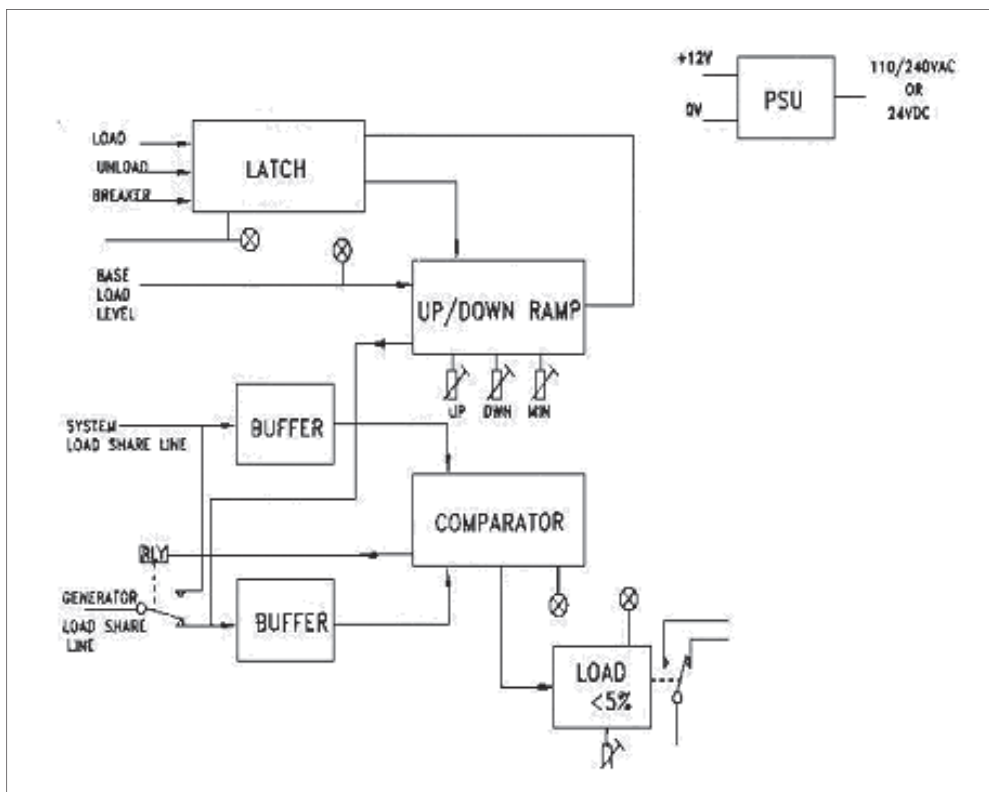
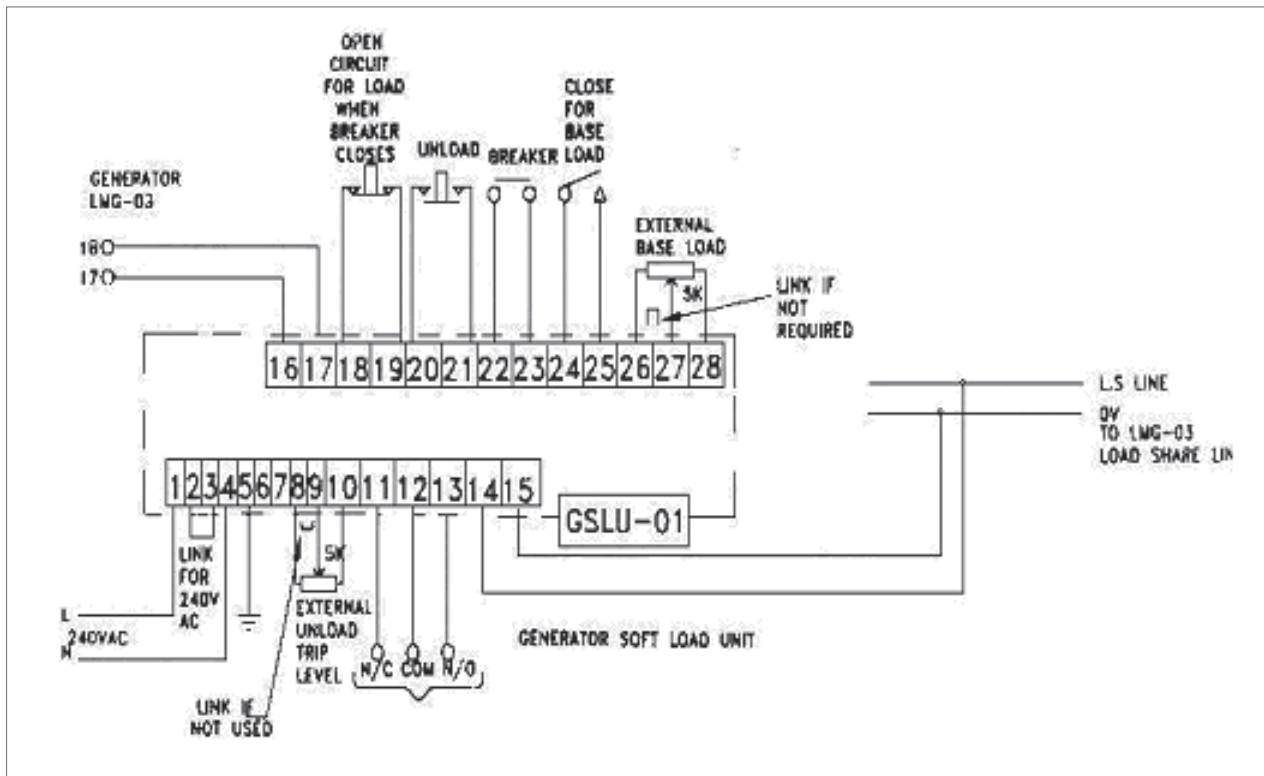
Features

For use with isochronous load sharing unit

Isochronous loading and unloading of island or parallel generator sets

Minimum load trip level

Up to 20 sets in parallel operation



Subject to alterations. ©Heinzmann GmbH & Co. KG, 2005

Heinzmann UK

Heinzmann UK Ltd.

Durham Tees Valley Airport
 Darlington, County Durham DL2 1PD
 Phone: +44 1325 332343
 Fax: +44 1325 333631
 Email: info@heinzmannuk.com
 www.heinzmann-turbine-controls.com



Head Office

Heinzmann GmbH & Co. KG

Am Haselbach 1
 D-79677 Schönau/Germany
 Phone: +49 7673 8208 - 0
 Fax: +49 7673 8208 - 188
 Email: info@heinzmann.de
 www.heinzmann.com