

DG 2800.14

DATA SHEET

Description

The DG 2800.14 governor is a microprocessor controlled hydraulic governor for diesel or dual fuel engines and steam turbines.

It consists of the well proven REGULATEURS EUROPA 2800 series actuator and the HEINZMANN digital DC 14 governor.

The digital governor controls the proportional solenoid of the actuator by means of a current signal.

DG 2800.14 includes an integrated speed pick-up, however if required an external pick-up can be connected.

The DC 14 digital governor provides state-of-the-art speed control (steady state speed wander < 0.1 % at nominal speed), start fuel limit and functionality typical for generator application, including isochronous load sharing (optional).

The software allows to set the gear ratio between crankshaft and governor drive. In this way all speed related settings in the software refer to "engine rpm".

The DC 14 digital governor is set-up with the user-friendly interface program DcDesk. Also 20 selectable parameters can be edited using the unit's key pad and display (password protected).

Application range

- Medium-speed diesel engines
- Dual-fuel engines
- Steam turbines

Certificates

Marine certification: DNV GL / ABS



Features

Hydraulic actuator with integrated electronic governor

Compact size envelope

Fully interchangeable with UG range governors

Low maintenance

High reliability

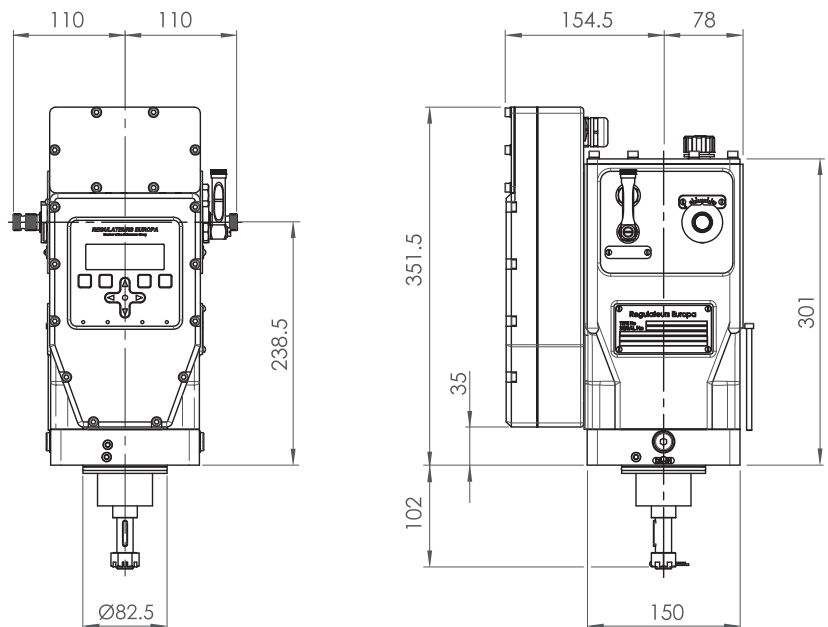
Self-contained oil supply

Serrated or keyed drive shafts available

Monitoring

- All alarms result in the common alarm output
- All analogue inputs supervised
- Pick-up supervised

Dimensions



Technical data

Power supply	2× redundant supply inputs with failure alarm, 18 ... 32 VDC, 24 VDC nominal
Power consumption	max. 1.5 A
Digital inputs	7× active high or active low, isolated, with common ground or supply, functionality configurable via software
Analogue inputs	3× 4 ... 20 mA 1× 0 ... 5 VDC or PWM, isolated, with common ground, functionality configurable via software
Digital outputs	2× 24 VDC max. 100 mA, isolated, with common ground, functionality configurable via software
Analogue outputs	1× 4 ... 20 mA, isolated, functionality configurable via software
Speed pick-up	Fitted in the actuator, provision to connect an external speed pick-up instead is available, pick-up supply 12 VDC
Communication	CAN bus 2.0B ISO 11898 RS232 9-pole sub-D connector for programming
Configuration tool	HEINZMANN DcDesk 6 or DcDesk 2000

Ambient temperature	-40 ... +70 °C	
Degree of protection	IP65	
Speed control accuracy	≤ 0.1 % steady state at nominal speed	
Work output nominal	15 ft. lbf. (29.5 joules)	30 ft. lbf. (40.5 joules)
Torque (increase fuel)	24.4 ft. lbf. (35.5 Nm)	49.5 ft. lbf. (67 Nm)
Torque (decrease fuel)	17.3 ft. lbf. (23.9 Nm)	38.5 ft. lbf. (52 Nm)
Output shaft angular movement	46.7 degrees max. Full travel 28 degrees (0 – 100 % load)	
Output shaft	5/8 inch 36 SAE serrations or 3/4 inch 48 SAE serrations	
Drive speed	300 to 2000 rpm	
Direction of rotation	either	
Weight	approx. 30 kg	

All connections by means of screwless terminals.

Subject to alterations. ©REGULATEURS EUROPA B. V., 2020

REGULATEURS EUROPA B.V.
Ekkelkamp 3, 9301 ZZ Roden
The Netherlands
Phone: +31 (0)50 5019888
Fax: +31 (0)50 5013618
Email: sales@regulateurs-europa.com



REGULATEURS EUROPA Ltd.
Port Lane, Colchester, Essex CO1 2NX
United Kingdom
Phone: +44 (0)1206 799 556
Fax: +44 (0)1206 792 685
Email: sales@regulateurseuropa.com