

LES-GT 20/25/40/50/65

DATA SHEET

Description

LES-GTs are mechanical gas valves for air-fuel-ratio control (AFR) of gas engines suitable for various gas qualities. They are available with several cross sections and applied together with Venturi based gas mixers. Due to their design, these valves are totally maintenance-free and long lasting. Main applications are gas engines, working at one single operating point. Gas flow optimum is adjusted by positioning a specially shaped piston inside the LES-GT gas valves.

LES-GT gas valves are available with inner diameters of 20 mm up to 65 mm. Appropriate dimensioning of valve size to a specific application is highly depending on engine type, gas type and quality as well as the design of the corresponding Venturi gas mixer. For individual dimensioning contact HEINZMANN.



Features

Gastight up to 2 bar abs.

Suitable for different gas types and qualities

Cost effective and maintenance-free fuel system component without moving parts

Suitable for naturally aspirated and turbo charged engines

List of types

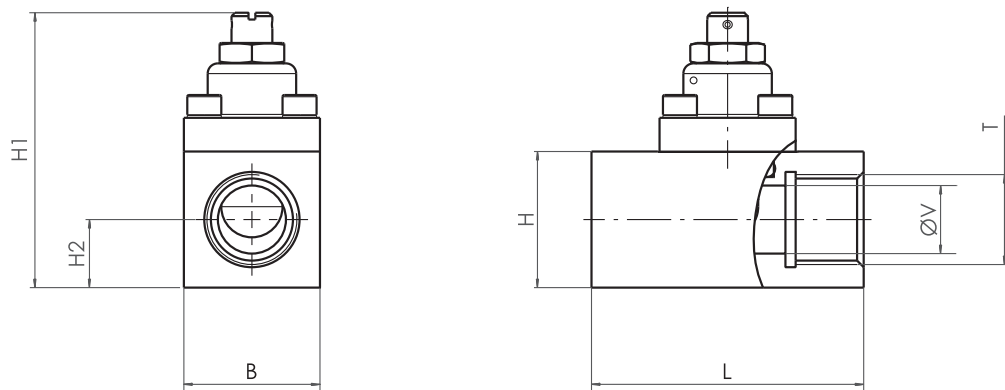
Type	Flow diameter ØV	Product number
LES-GT 20	20 mm	471-00-001-01
LES-GT 25	25 mm	471-00-002-01
LES-GT 40	40 mm	471-00-003-03
LES-GT 50	50 mm	471-00-004-00
LES-GT 65	65 mm	471-00-006-00

Applications

- ➔ Gas mixing system for naturally aspirated and supercharged gas engines

Dimensions

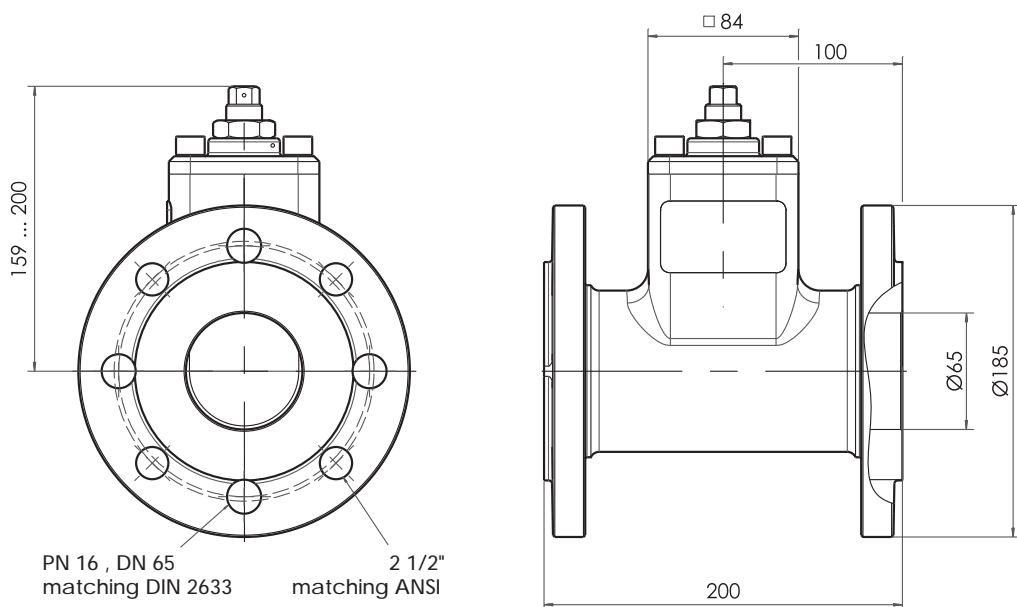
LES-GT 20/25/40/50



Type	ØV mm	L mm	H mm	B mm	H1 mm	H2 mm	T mm
LES-GT 20	20	80	40	40	77 ... 92	20	B.S.P thread Rp 3/4"
LES-GT 25	25	95	50	50	91 ... 111	25	B.S.P thread Rp 1"
LES-GT 40	40	120	60	60	136 ... 171	30	B.S.P thread Rp 1 1/2"
LES-GT 50	50	130	80	80	165 ... 210	40	B.S.P thread Rp 2"

Dimensions

LES-GT 65



Technical data

Operating temperature	-20 ... 100 °C
Boost pressure	max. 2 bar abs.
Fuel gas types	natural gas, propane, waste dump gas, biogas
Weight	LES-GT 20: approx. 0.4 kg
	LES-GT 25: approx. 0.7 kg
	LES-GT 40: approx. 1.4 kg
	LES-GT 50: approx. 2.7 kg
	LES-GT 65: approx. 6.4 kg

Certificates

ATEX  II 2 G c II

Subject to alterations. ©Heinzmann GmbH & Co. KG, 2015



Heinzmann GmbH & Co. KG
Am Haselbach 1
D-79677 Schönau/Germany

Phone: +49 7673 8208 - 0
Fax: +49 7673 8208 - 188
Email: info@heinzmann.de